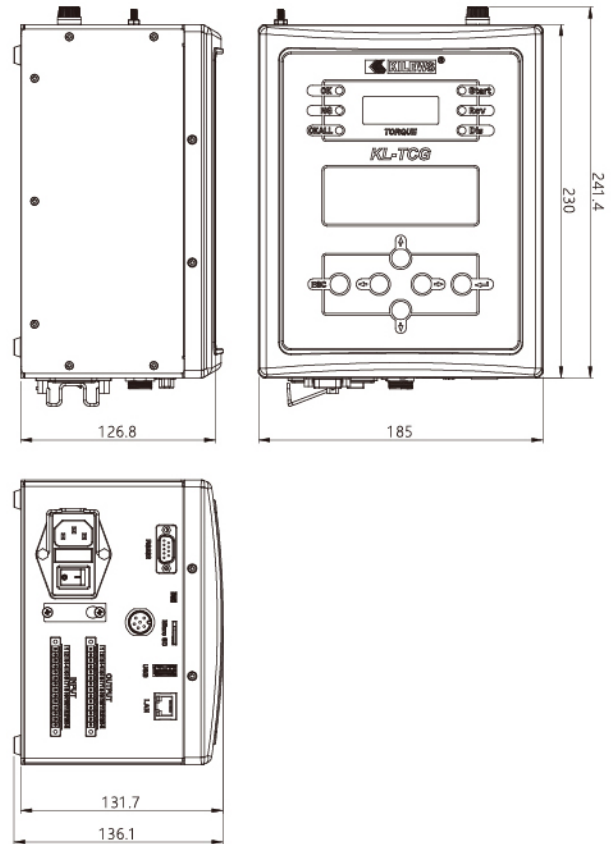




KL-TCG controller

External Dimension



Features

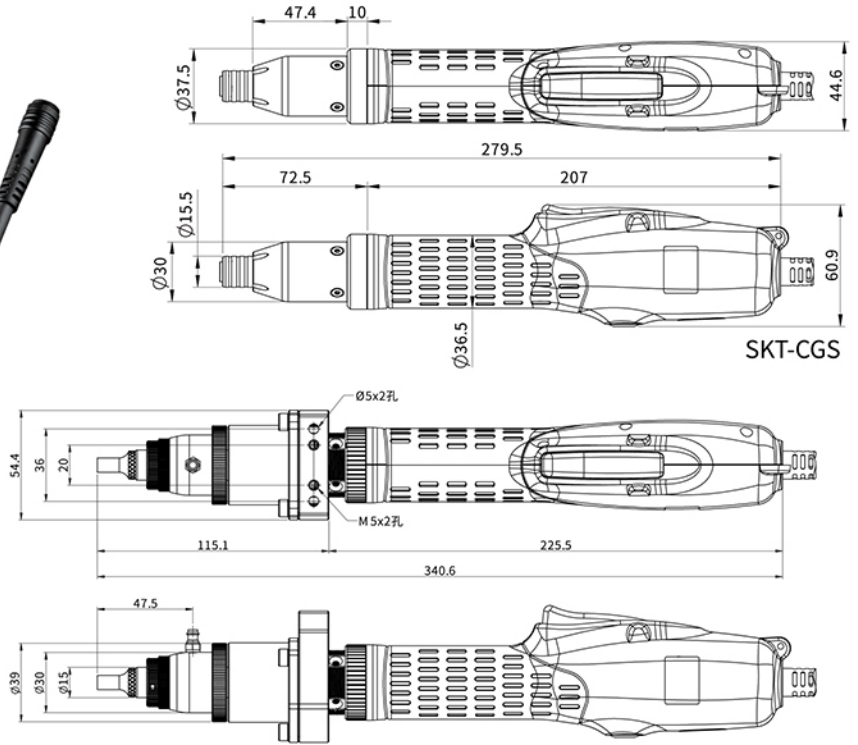
- High precision made in Germany torque transducer
- Start mode: Lever start / Push start / Lever + push start
- LED mode: On / Off / Turn on when start
- SD card slot for temporary data storage (Support 32GB and below)
- Save up to 250 sequences
- Use up to 5 steps per screw tightening
- Save up to 99 steps
- Use up to 50 sequences per job
- Save up to 50 jobs

TCG controller can monitor tightening status, parameter settings and data storage for traceability. Adopt made in Germany torque transducer allows SKT-CG series screwdriver to control tightening torque and RPM. Due to SKT-CG diverse functions, it can provide most ideal tightening strategy. Tightening goals (torque/thread) can be set by controller. Users may switch between multiple programs to achieve tightening various tasks. Built-in ethernet module, no need to purchase external ethernet module. Data can be saved in SD card to avoid data missing due to internet down time.

Specifications

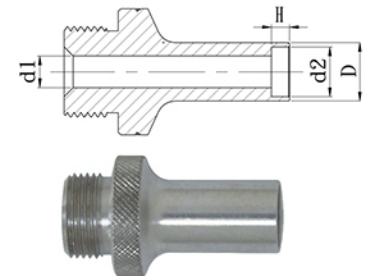
Model	KL-TCG	KL-TCG-L
Input Voltage	AC 115 / 230V 50-60Hz	
I/O Output Voltage	DC 24V 50mA / 12V 100mA	
Count	1~99	
Count method	Count-up/Count-down	
Detection torque value	According to the screwdriver specifications	
Detection screw thread number	0.0~999.9	
External connection input	Start / Reverse / Disable / Confirm / Cleared / Gate / Sequence cleared	
External connection output	OK/NG/OK ALL/Start/Reverse	
Serial interface	RS-232X2, Micro SD, LAN	
Assembly management	KL-DAS / KL-AMS	
External dimensions	185 x 241.4 x 127 (mm)	
Weight(Kg)	3.4 Kg	
Applicable Models	SKT-CGS series SKT-CG30/50/70 SKT-LCG30/50/70	SKT-CG120/180

External Dimension



Unit: mm

PART NO	d1	d2	D	H
P11032-15	3.5	5.5	6.5	2
P11032-17	4.5	6.5	7.5	2
P11032-18	5.5	7.5	8.5	2



Specifications

Model	SKT-CGS10	SKT-CGS30
Input Voltage	DC 40V	
Torque	(N.m)	0.05 ~ 1
	(kgf.cm)	1.02 ~ 10.2
	(Lbf.in)	0.86 ~ 8.85
Free Speed (r.p.m)	980 ~ 100	980 ~ 100
Power Consumption	90W	
Weight(g)	680	
Length(mm)	280	
Power Controller	KL-TCG	
Bit Type	<p>Hex. 6.35mm</p>	

Accessories





SKT-CG

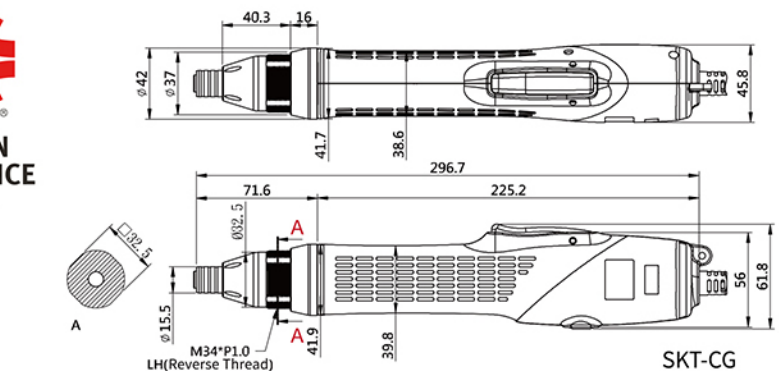
SKT-CG + KS-TM-TCG



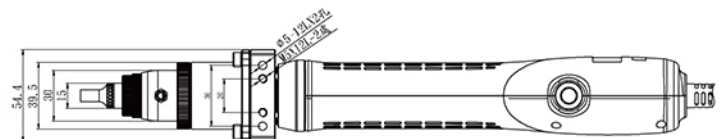
M34*P1.0
LH Reverse Thread



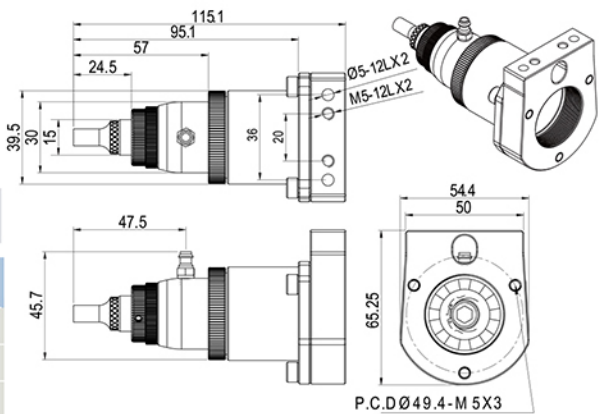
External Dimension



SKT-CG

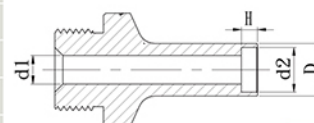


SKT-CG + KS-TM-TCG



P.C.D Ø49.4-M 5X3

Unit: mm

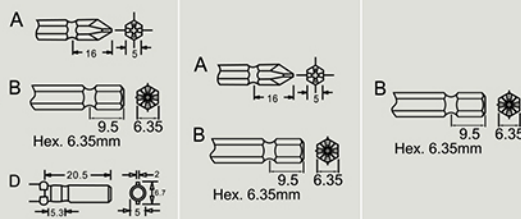


PART NO	d1	d2	D	H
P11032-15	3.5	5.5	6.5	2
P11032-17	4.5	6.5	7.5	2
P11032-18	5.5	7.5	8.5	2

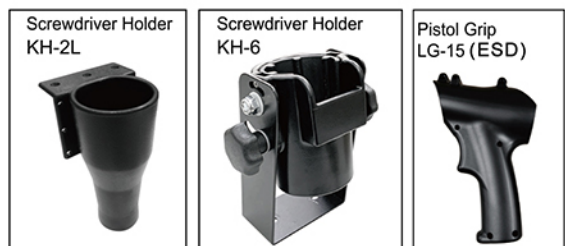
Specifications

Model	SKT-CG30	SKT-CG50	SKT-CG70	
Input Voltage	DC40V			
Torque	(N.m)	0.6~3	1~5	1.4~7
	(kgf.cm)	6.11~30.59	10.2~51.00	14.27~71.39
	(Lbf.in)	5.31~26.55	8.85~44.25	12.39~61.96
Free Speed(r.p.m)	1600~160	1100~110	660~70	
Power Consumption	90W			
Weight(g)	830			
Length(mm)	297			
ESD(Anti-Static)	✓			
CE	✓			
RoHS	✓			
Power Controller	KL-TCG			

Bit Type

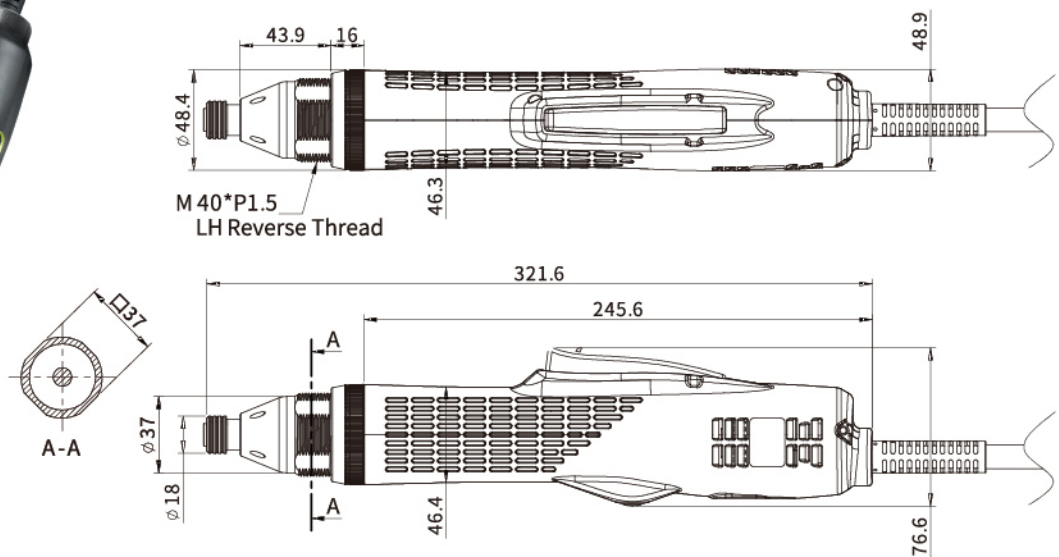


Accessories





External Dimension



Unit: mm

Specifications

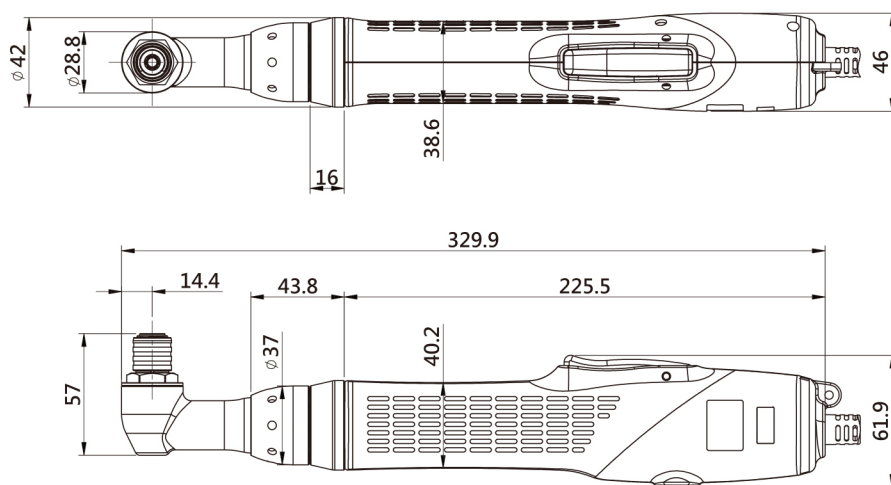
Model	SKT-CG120	SKT-CG180	
Input Voltage	DC40V		
Torque	(N.m)	2.4~12	3.6~18
	(kgf.cm)	24.5~122.4	36.7~183.6
	(Lbf.in)	21.2~106.2	31.9~159.3
Free Speed(r.p.m)	1000~100	600~60	
Power Consumption	90W		
Weight(g)	1130		
Length(mm)	313		
Power Controller	KL-TCG-L		
Bit Type			

Accessories

Pistol Grip LG-16S 	Screwdriver Holder KH-2L 	Screwdriver Holder KH-7
----------------------------------	--	---------------------------------------



External Dimension



Unit: mm

Specifications

Model	SKT-LCG30	SKT-LCG50	SKT-LCG70
Input Voltage		DC40V	
Torque	(N.m)	0.6~3	1~5
	(kgf.cm)	6.11~30.59	10.2~51.00
	(Lbf.in)	5.31~26.55	8.85~44.25
Free Speed(r.p.m)	1100~120	800~80	450~50
Power Consumption		90W	
Weight(g)		1150	
Length(mm)		330	
Power Controller		KL-TCG	
Bit Type	<p>Hex. 6.35mm</p>	<p>Hex. 6.35mm</p>	<p>Hex. 6.35mm</p>