



Cordless Screwdriver

Design for Industrial
Production Line





KILEWS INDUSTRIAL CO., LTD. was established in July 1984. The company began with USD\$1,000,000 investment and six staff. We created the KILEWS as our trademark with the most professional techniques for making automatic electric screwdrivers to the world.

In 1988, our investment grew to USD\$170,000 and we decided to expand international markets, especially for Asia region.

In 1990, based on increasing demand for KOREA market, KILEWS set up the electric screwdriver assembling plant in INCHON, KOREA.

In 1992, with the approval of Investment Commission, MOEA, the company invested US\$200,000 to TIANJIN TAIWEI INTERNATIONAL TRADING CO., LTD. for international trading and Northern China Customer Service Center of KILEWS.

In July 1994, KILEWS (CHINA) CUSTOMER SERVICE CENTER was established in SHEN-ZHEN, KUAN-CHOU of China and KILEWS (H.K.) TRADING COMPANY in December in Hong Kong.

In January 1995, KILEWS completed building a new plant in Hsin-Chuang Dist., New Taipei City, Taiwan, R.O.C., the capital was increased to USD\$350,000 at the same time with 46 staff through professional automatic equipment to sell our products all over the world.

In 1996, KILEWS established two China offices- TUNG-GUAN OFFICE in April and Central China Customer & Service Center, Shanghai in October.

In February 1997, KILEWS MARKETING (S.E.A)(SINGAPORE) was established to sell and provide service in South –Eastern Asia.

In January 1998, AC230V electric screwdriver has been approved the certification of CE from ITS. UK. which allowed KILEWS formally entering into the EUROPE markets. In June, acquired “the Chinese chang cheng Certification” to meet the demand of mainland China’s widely market.

In December, AC115V acquired UL approval to strengthen the competition and satisfy the American markets’ demand.

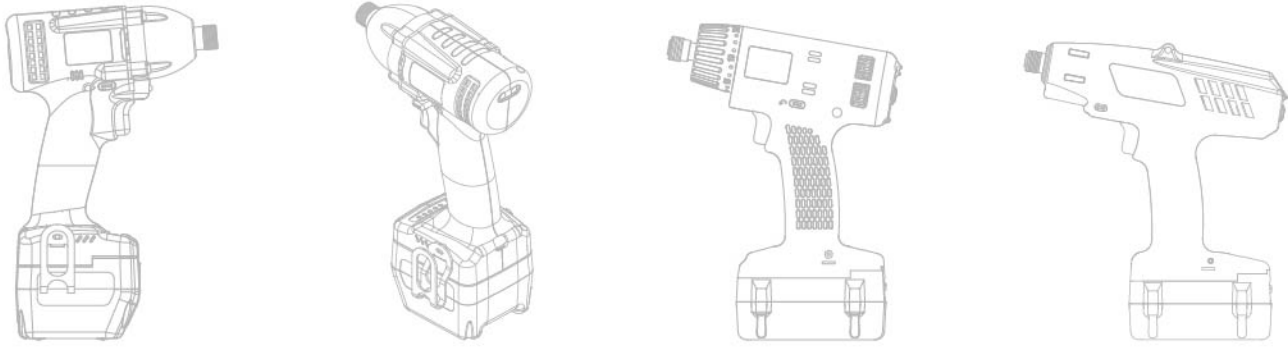
KILEWS acquired three certifications in 1998 CE from ITS, UK. In January , Chinese Chang Cheng, China in June and UL of USA in December.

In April 1999, in order to satisfy increasing demand of EUROPE and UNITED STATES markets, the total capital has added to USD \$1,000,000 and increased the offshore staff at about 200 excluding 85 in Taiwan.

In August 2000, in order to further expand the CHINA market, KILEWS increased the capital to USD\$3,000,000 and established KILEWS Electric Tools (Shanghai) Co., Ltd. which manufacture electric screwdrivers for the needs of Chinese Market.

In September 2000, KILEWS acquired CE, CULUS certification on DC type 32V series electric screwdriver and Power Controller.





In December 2002, KILEWS Electric Tools (Shanghai) CO., LTD. was approved as ISO9001 manufacturer in China.

In January 2003, KILEWS products passed and acquired the CCC certificates by China CQC.

In January 2005, KILEWS Electric Tools (VIETNAM) CO., Ltd. was set up in Vietnam.

In October 2007, KILEWS new factory was set up in Taiwan and soon become one of biggest suppliers of electric screwdriver in the world.

In October 2008, the company held a grand opening of new plant in Taiwan for preparation of being a leading supplier of electric screwdrivers all over the world.

In January 2009, KILEWS self-researched, developed and produced brushless motor, entering the new generation of the small-size brushless motor. In March of the same year, KILEWS developed co-product for the brushless screwdriver application such as counter, low recoil force screwdriver....etc.

In 2010, Brushless technology was officially produced and promoted in Shanghai China and soon became the highest sale in the power tool market.

In 2011, KILEWS self-researched and developed automatic industrial brushless power torque screwdriver series. Focus on the convenience for the users and increase power saving, also design for energy conservation and environmental protection as well.

In 2012, Accomplished the development of cordless screwdriver series' product line, self-researched and developed automatic/semi-automatic / impact series industrial brushless cordless screwdriver and light weight, high speed automatic cordless brushless screwdriver.

In October 2012, KILEWS SKD-BE Series won the National Brand of Yushan Award, the award for outstanding business class award for the best product.

In October 2015, KILEWS established KILEWS WEST INC.

In October 2016, Develop and manufacture industrial 4.0 products, and become international leading brand.

In October 2017, Smart Torque Display Tool System won 2017 Taiwan Excellence Award in October.

In October 2018, Industrial Smart Counting Controller System, Smart Torque Display Electric Screwdriver series, DC built-in counter brushless electric screwdriver series and DC Micro Torque Brushless Screwdriver series won 2018 Taiwan Excellence Award.



KILEWS® SMART MULTI STAGE REMOTE CONTROL BRUSHLESS INDUSTRIAL IMPACT WRENCH

SKC-PTM Series



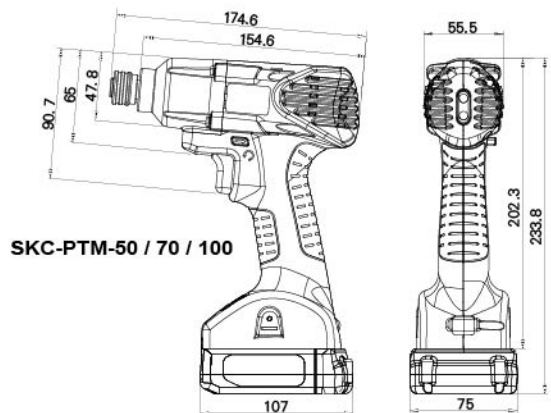
TAIWAN EXCELLENCE 2020



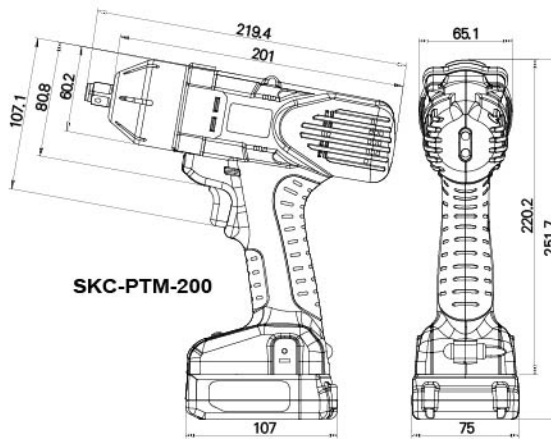
SKC-PTM-50 / 70 / 100



SKC-PTM-200



SKC-PTM-50 / 70 / 100



SKC-PTM-200

Unit: mm

Product Features

- OK & NG indicator - Prevent cross head and stripped screw to secure fastening quality
- Program - Max. 5 programs to use in a sequence
- Counter - Counter reminds user for no. of remaining untighten screw
- Low battery alert - To judge best timing to change battery
- Prohibit setting configuration - When activated, user cannot change settings without remote control. This is to avoid any user to change tool settings intentionally
- Low voltage compensation, stable power output to ensure torque output stability

High precision

Intelligent Programable impact wrench (SKC-PTM series) must be tested with KTM-IWT50 /KTM-IWT400 torque tester.

- Set PTM-50 at 80% output using M12 bolt (socket size: 19mm), KTM-IWT400 tester measured PTM-50 torque accuracy is $\pm 8\sim 10\%$.
- Set PTM-70 at 80% output using M14 bolt (socket size: 22mm), KTM-IWT400 tester measured PTM-70 torque accuracy is $\pm 8\sim 10\%$.
- Set PTM-100 at 80% output using M16 bolt (socket size: 24mm), KTM-IWT400 tester measured PTM-100 torque accuracy is $\pm 8\sim 10\%$.
- Set PTM-200 at 80% output using M20 bolt (socket size: 30mm), KTM-IWT400 tester measured PTM-200 torque accuracy is $\pm 8\sim 10\%$.

※ Socket weight, driver handling, bolt property class, bolt size may all affect torque output.



KL-RC1
INFRARED REMOTE CONTROL

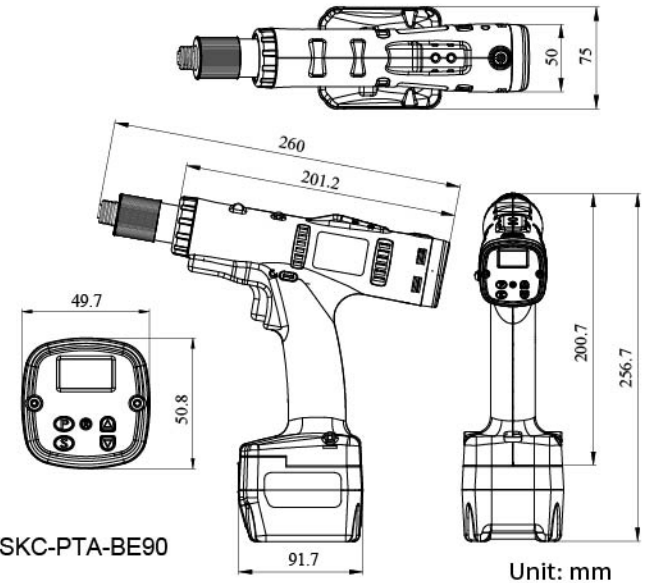
Specifications

Model	SKC-PTM-50	SKC-PTM-70	SKC-PTM-100	SKC-PTM-200
Input Voltage	14.4V	14.4V	14.4V	14.4V
Free Speed (r.p.m)	0~1900	0~2600	0~2000	0~1700
B.P.M	0 ~ 2500	0 ~ 3400	0 ~ 2600	0 ~ 2100
Torque(N.m)	8 ~ 50	20 ~ 70	20 ~ 100	25 ~ 200
Bolt Size (Class 12.9)	M6~M8~M10~M12	M8~M10~M12~M14	M10~M12~M14~M16	M12~M14~M16~M20
Torque Tester	KTM-IWT50、KTM-IWT400	KTM-IWT400	KTM-IWT400	KTM-IWT400
Torque	Torque(M6) 3 - 20 N.m	Torque(M8) 8 - 30 N.m	Torque(M10) 8 - 40 N.m	Torque(M12) 15 - 110 N.m
	Torque(M8) 3 - 20 N.m	Torque(M10) 8 - 40 N.m	Torque(M12) 20 - 70 N.m	Torque(M14) 22 - 120 N.m
	Torque(M10) 5 - 30 N.m	Torque(M12) 20 - 60 N.m	Torque(M14) 20 - 90 N.m	Torque(M16) 22 - 140 N.m
	Torque(M12) 12 - 50 N.m	Torque(M14) 25 - 70 N.m	Torque(M16) 25 - 100 N.m	Torque(M20) 23 - 200 N.m
Bit Size	B 9.5 Hex 6.35mm 6.35 W3/8" 3/8" sq	W3/8" 3/8" sq Hex 6.35mm 6.35	B 9.5 W3/8" W1/2" 3/8" sq 1/2" sq Hex 6.35mm 6.35	W1/2" 1/2" sq
Weight(kg)	0.98 (Without Battery)	1 (Without Battery)	1.02 (Without Battery)	1.5 (Without Battery)
Size(mm)	174X202(LXH Without Battery)			219X220(LXH Without Battery)
Applicable Battery	SKC-LB1425	SKC-LB1425	SKC-LB1425	SKC-LB1425
Applicable Charge Station	SKC-P70W	SKC-P70W	SKC-P70W	SKC-P70W
Optional Accessories	KL-RC1			

KILEWS® AUTOMATIC INDUSTRIAL CORDLESS WITH COUNTER BRUSHLESS MEDIUM / LOW TORQUE BATTERY SCREWDRIVERS SERIES SKC-PTA-BE Series



External Dimension



Product Features

1. SKC-PTA-BE series
 - a. Built in error proof function
 - NG / OK / OKALL
 - screw list
 - screw count
 - Battery capacity
 - Connection status
 - Driver lock
 - b. Display screw tightening status by LED and LCD
 - c. I/O signals to PLC by KL-WSCBSN
 - d. Input signal to control driver by PLC

Function Setting

- A. Screw list
- B. Screw count
- C. OK ALL signal time
- D. Maximum fastening time
- E. Minimum fastening time
- F. Driver lock when error occurred
- G. Auto stop after batch complete
- H. Fastening speed and time

Specifications

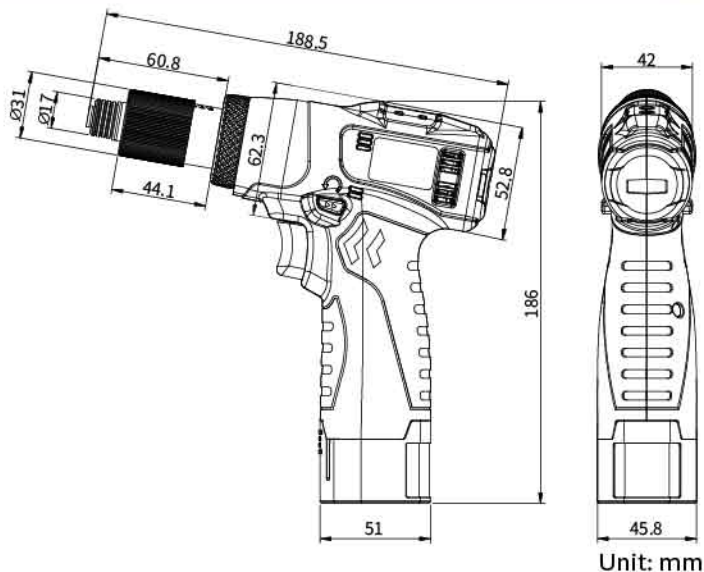
Model	SKC-PTA-BE120	SKC-PTA-BE90	SKC-PTA-BE50F
Input Voltage	18V		
Torque (N.m)	Hard Joint	3~9	2~5
	Soft Joint	3~7.2	2~4
Repeatable Torque Accuracy	±3%		
Torque Adjustment	External Stepless		
Free Speed (r.p.m) ±10%	260~880	300~1000	660~2200
	10 Steps		
Weight (kg)	1.2 (Without Battery)		
Size (mm)	260X200 (LxH Without Battery)		
Applicable Battery	SKC-LB1820B		
Applicable Charge Station	SKC-P80WN-D		
Applicable Torque Meter	KTM-150		
Applicable Bit Type			

* * Free load speed will be fixed when battery volume is more than 17V (17~21V)

KILEWS® AUTOMATIC INDUSTRIAL CORDLESS BRUSHLESS MEDIUM / LOW TORQUE BATTERY SCREWDRIVERS SERIES SKC-PTA-BT Series



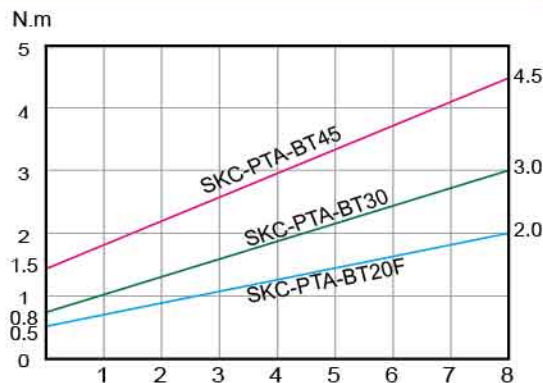
External Dimension



Product Features

- Compact light weight ergonomic design.
- Cleaner quieter maintenance free brushless motor.
- Most ideal for areas where cables and hoses impede handling flexibility i.e. car interior electrical cabinet interiors. trains.
- 10.8V Lithium-ion battery.

Torque Range Reference Chart



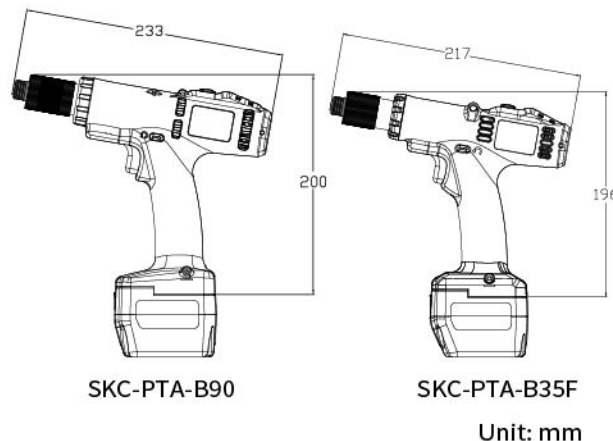
Specifications

Model	SKC-PTA-BT20F	SKC-PTA-BT30	SKC-PTA-BT45	
Input Voltage	10.8V			
Torque (N.m)	Hard Joint	0.5-2.0	0.8-3.0	1.5-4.5
	Soft Joint	0.5~1.6	0.8-2.4	1.5-3.6
Repeatable Torque Accuracy	±3%			
Torque Adjustment	Stepless			
Free Speed (r.p.m) ±10%	HI	2700	1400	800
	LO	1900	1000	550
Weight (kg)	0.7 (Without Battery)			
Size (mm)	189X157 (LxH Without Battery)			
Applicable Battery	SKC-LB1025S			
Applicable Charge Station	SKC-P50WN-S			
Applicable Bit Type				

KILEWS® AUTOMATIC INDUSTRIAL CORDLESS BRUSHLESS MEDIUM / LOW TORQUE BATTERY SCREWDRIVERS SERIES

SKC-PTA-B Series

External Dimension



Product Features

- High performance brushless motor with constant speed and 2 years warranty.
- External torque adjustment and low recoil design.
- User-friendly design such as LED illumination and 10 degrees elevation design.
- The cordless battery screwdriver has built-in indicating light to indicate the fastening procedure. The green LED will light up and give a short beep for every fastening screw. Conversely, the red LED will light up and give a long beep if the screw is fastened incorrectly or NG.
- Adopting Japanese high performance Li-ion (Li-Mn) battery which has longest standby time and lifetime.
- Users can select HI/LO speed via the electric switch to meet the operation requirement.
- In order to extend battery operating time, the cordless battery screwdriver will turn to sleep mode automatically when it idled over 3 seconds. Sleep mode helps to save electricity and extend battery life time.
- SKC-PTA-B120/B90 output stronger torque, therefore include with side pistol grip to maintain operating security.

Torque Identification Ring



Specifications

Model		SKC-PTA-B120	SKC-PTA-B90	SKC-PTA-B50F	SKC-PTA-B60	SKC-PTA-B35	SKC-PTA-B35F
Input Voltage		18V					
Torque (N.m)	Hard Joint	6~12	3~9	2~5	2~6	1~3.5	1~3.5
	Soft Joint	6~9.6	3~7.2	2~4	2~4.8	1~2.8	1~2.8
Repeatable Torque Accuracy		±3%					
Torque Adjustment		External Stepless					
Free Speed (r.p.m) ±10%	HI	880	1000	2200	1000	1000	2000
	LO	570	650	-	650	650	-
Weight (kg)		1.1 (Without Battery)			0.98 (Without Battery)		
Size (mm)		233x200 (LxH Without Battery)			217x196 (LxH Without Battery)		
Applicable Battery		SKC-LB1820B					
Applicable Charge Station		SKC-P80WN-D					
Applicable Torque Meter		KTM-150					
Applicable Bit Type		 B W B			 B B		

* * Free load speed will be fixed when battery volume is more than 17V (17~21V)

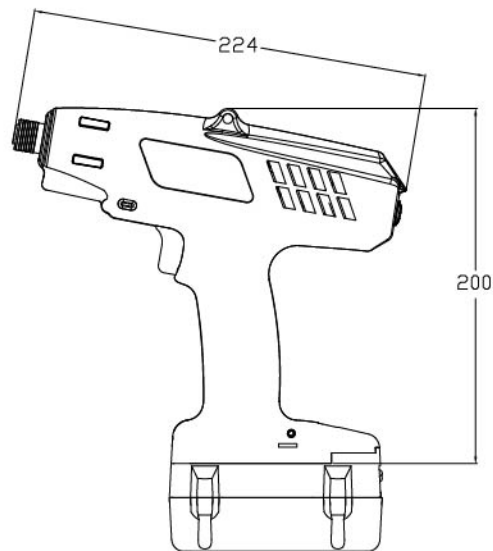
KILEWS® AUTOMATIC INDUSTRIAL CORDLESS BRUSHLESS HIGH TORQUE BATTERY SCREWDRIVERS SERIES SKC-PTA Series



Product Features

- The high power brushless motor was researched, developed and produced by Kilews, with 2 years warranty.
- The best choice of industrial assembly tool which can set the maximum torque up to 22 N.m, and the repeatable torque accuracy within $\pm 3\%$.
- Adopting Japanese high performance Li-ion (Li-Mn) battery which has longest standby time and lifetime.
- The cordless battery screwdriver has beep alarm warning when the battery power capacity is low. The red LED will flicker when 20% left of battery power capacity and light up continuously when 10% left of battery power capacity. User can be reminded to replace the battery by the LED warning light.
- The cordless battery screwdriver has built-in indicating light to indicate the fasten procedure during operation. The green LED will light up and give a short beep for every fastening screw. Conversely, the red LED will light up and give a long beep if the screw is fastened incorrectly or NG.
- LED illumination, LED will light up while screwdriver is operating to help user to see the fastening object status and to make sure the screws are aimed to exact positions.
- Users can select HI/LO speed via the electrical switch to meet the operation requirement.
- In order to hold the cordless battery screwdriver comfortably, the shape is designed to be 10 degrees elevation and balanced as an excellent ergonomic design.
- Torque identification rings are attached to distinguish the torque with different colors after the user adjusted the torque.
- In order to extend battery operating time, the cordless battery screwdriver will turn to sleep mode automatically when it idled over 3 seconds. Sleep mode helps to save power and extend battery life time.
- Due to the strong fastening torque, we have also included side pistol grip to maintain operating security.

External Dimension



SKC-PTA-150

Unit: mm

Torque Identification Ring



Specifications

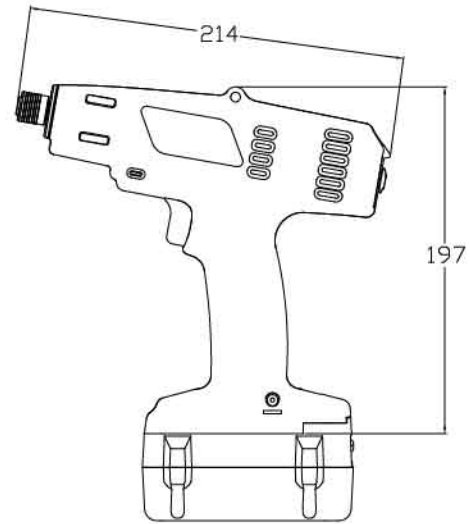
Model		SKC-PTA-220	SKC-PTA-150
Input Voltage		18V	
Torque (N.m)	Hard Joint	8~22	6~15
	Soft Joint	8~17.6	6~12
Repeatable Torque Accuracy		$\pm 3\%$	
Torque Adjustment		Internal Stepless	
Free Speed (r.p.m) $\pm 10\%$	HI	350	600
	LO	200	380
Weight (kg)		1.2 (Without Battery)	
Size (mm)		224X200 (LXH Without Battery)	
Applicable Battery		SKC-LB1840	
Applicable Charge Station		SKC-P120W / SKC-P80WN / SKC-80WN	
Applicable Torque Meter		KTM-250	
Applicable Bit Type		 HEX 6.35mm(No.3)	

* * Free load speed will be fixed when battery volume is more than 17V (17~21V)

KILEWS® AUTOMATIC INDUSTRIAL CORDLESS
BRUSHLESS MEDIUM TORQUE BATTERY SCREWDRIVERS SERIES
SKC-PTA Series



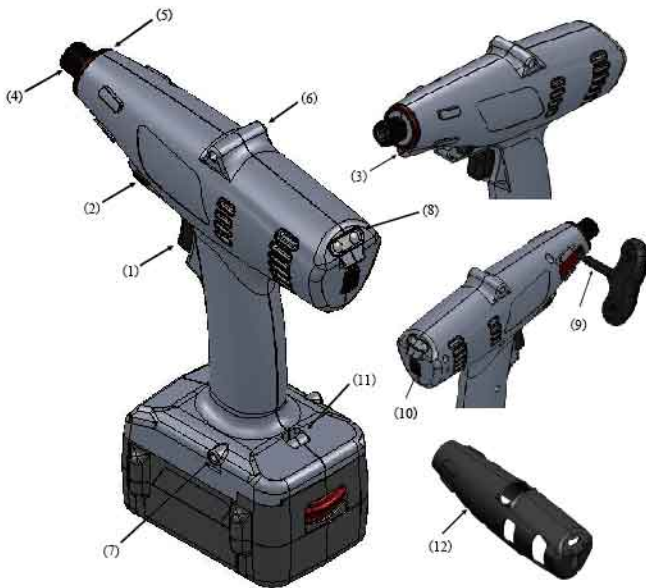
External Dimension



SKC-PTA-120

Unit: mm

Function / Operating Introduction



Torque Identification Ring



Specifications

Model		SKC-PTA-120	SKC-PTA-80
Input Voltage		18V	
Torque (N.m)	Hard Joint	5~12	4~8
	Soft Joint	5~9.6	4~6.4
Repeatable Torque Accuracy		±3%	
Torque Adjustment		Internal Stepless	
Free Speed (r.p.m) ±10%	HI	720	1200
	LO	450	780
Weight (kg)		1.0 (Without Battery)	
Size (mm)		214x197 (LxH Without Battery)	
Applicable Battery		SKC-LB1820 / SKC-LB1840	
Applicable Charge Station		SKC-P120W / SKC-P80WN / SKC-80WN	
Applicable Torque Meter		KTM-150	
Applicable Bit Type			

Function Name Table

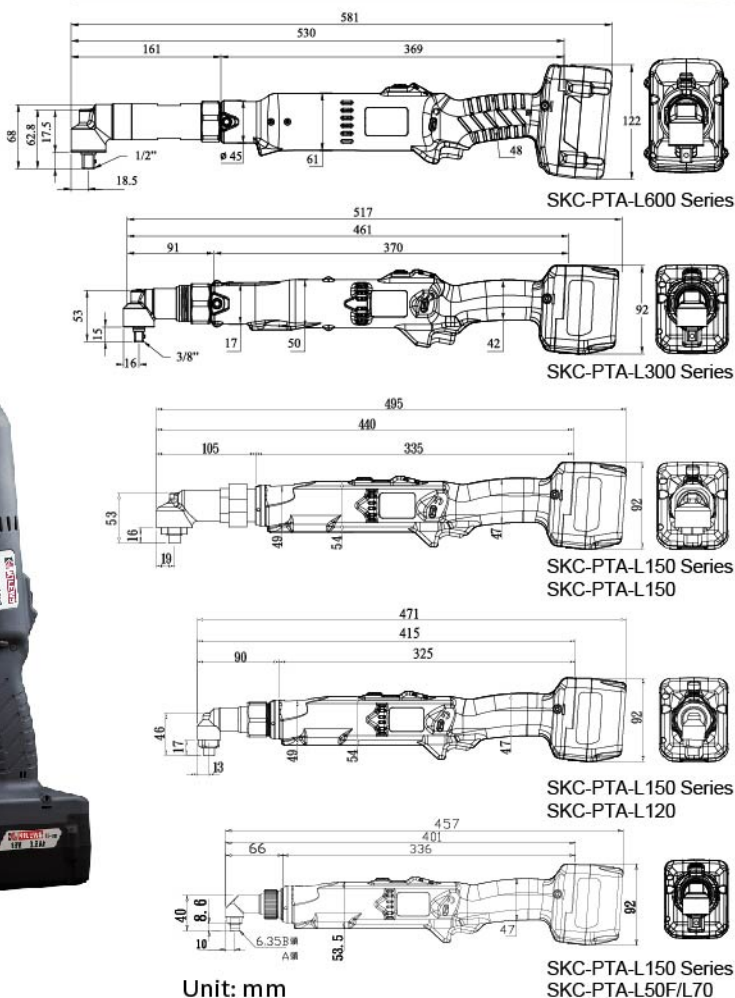
No.	Description	No.	Description
(1)	Trigger Switch	(7)	S Waist Hook
(2)	Forward/Reverse Lever	(8)	Indication Light
(3)	LED Light	(9)	Torque Wrench
(4)	Bit Sleeve	(10)	Speed Adjustment
(5)	Torque Identification Ring	(11)	Wrist Strap Hole
(6)	Driver Hook Hole	(12)	Slip Resistant Soft Cover

** Free load speed will be fixed when battery volume is more than 17V (17~21V)






KILEWS® AUTOMATIC INDUSTRIAL CORDLESS ANGLE TYPE BRUSHLESS HIGH TORQUE BATTERY SCREWDRIVERS SERIES SKC-PTA-L Series



External Dimension



Specifications

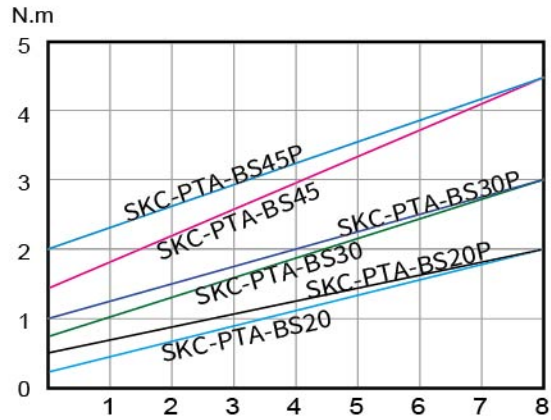
Model	SKC-PTA-L150 Series				SKC-PTA-L300 Series			SKC-PTA-L600 Series		
	SKC-PTA-L50F	SKC-PTA-L70	SKC-PTA-L120	SKC-PTA-L150	SKC-PTA-L80F	SKC-PTA-L150F	SKC-PTA-L300	SKC-PTA-L450	SKC-PTA-L600	
Input Voltage	18V									
Torque (N.m)	Hard Joint	2~5	2.5~7	6~12	8~15	3~8	8~15	12~30	15~45	25~60
	Soft Joint	2~4	2.5~5.6	6~9.6	8~12	3~6.4	8~12	12~24	15~36	25~48
Repeatable Torque Accuracy	±5%									
Torque Adjustment	Internal Stepless									
Free Speed (r.p.m) ±10%	HI	1200	850	550	350	1200	850	420	200	200
	LO	800	550	350	220	800	550	270	130	130
Weight (kg)	1.25 (Without Battery)		1.5 (Without Battery)		1.85 (Without Battery)		1.9 (Without Battery)		2.85 (Without Battery)	
Length (mm)	400 (Without Battery)		415 (Without Battery)		440 (Without Battery)		461 (Without Battery)		530 (Without Battery)	
Applicable Battery	SKC-LB1820B					SKC-LB1820C			SKC-LB1840	
Applicable Charge Station	SKC-P80WN-D					SKC-P80WN-D			SKC-P120W / P80WN / 80WN	
Applicable Torque Meter	KTM-150			KTM-250	KTM-150	KTM-250	KTM-1000			
Applicable Bit Type										

* * Free load speed will be fixed when battery volume is more than 17V (17~21V)

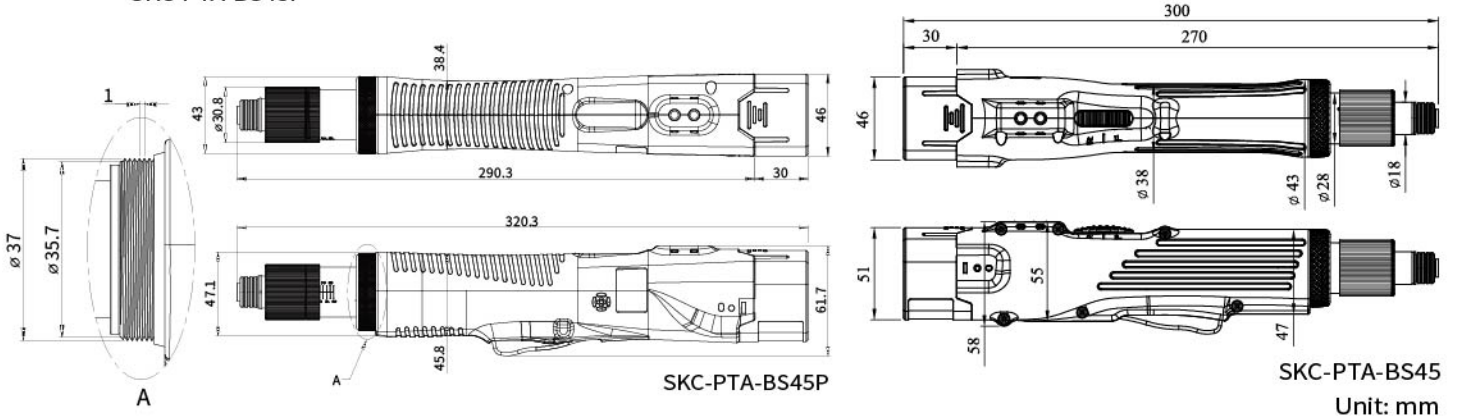
KILEWS® AUTOMATIC INDUSTRIAL CORDLESS BRUSHLESS LOW TORQUE BATTERY SCREWDRIVERS SERIES SKC-PTA-BS Series



Torque Range Reference Chart



External Dimension



Specifications

Model		SKC-PTA-BS20	SKC-PTA-BS30	SKC-PTA-BS45	SKC-PTA-BS20P	SKC-PTA-BS30P	SKC-PTA-BS45P
Input Voltage		10.8V				10.8V	
Torque (N.m)	Hard Joint	0.3~2.0	0.8~3.0	1.5~4.5	0.5-2	1-3	2-4.5
	Soft Joint	0.3~1.6	0.8~2.4	1.5~3.6	0.5-1.6	1-2.4	2-3.6
Repeatable Torque Accuracy		±3%				±3%	
Torque Adjustment		External Stepless				External Stepless	
Free Speed (r.p.m) ±10%	HI	1200	1200	700	1200	1200	700
	LO	850	850	500	-	-	-
Weight (kg)		0.7 (Without Battery)				0.72 (Without Battery)	
Size (mm)		270X60 (LXH Without Battery)				290X62 (LXH Without Battery)	
Applicable Battery		SKC-LB1025S				SKC-LB1025S	
Applicable Charge Station		SKC-P50WN-S				SKC-P50WN-S	
Applicable Torque Meter		KTM-150				KTM-150	
Applicable Bit Type							

Accessories

90 Degree Attachment KL-1S

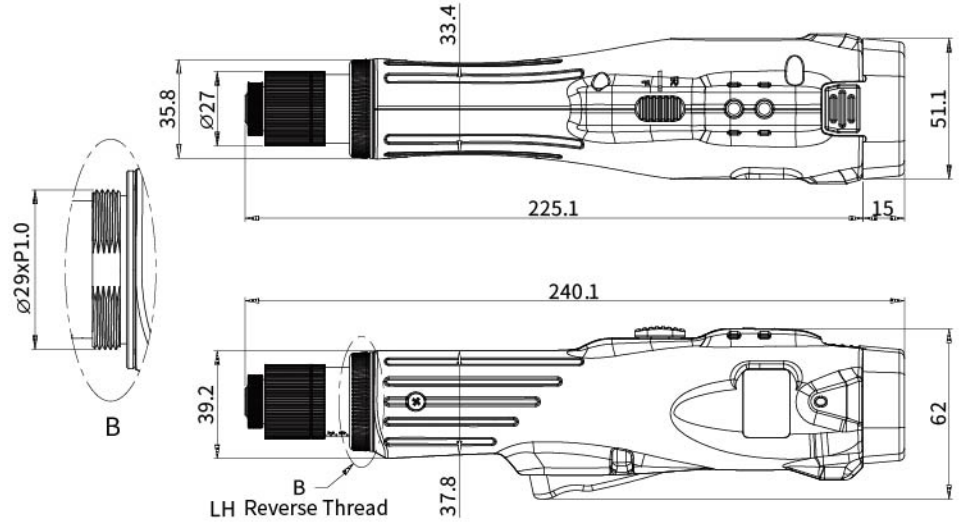


Applicable to SKC-PTA-BS series

KILEWS® AUTOMATIC INDUSTRIAL CORDLESS
BRUSHLESS **LOW** TORQUE BATTERY SCREWDRIVERS SERIES
SKC-PTA-BS Series



External Dimension

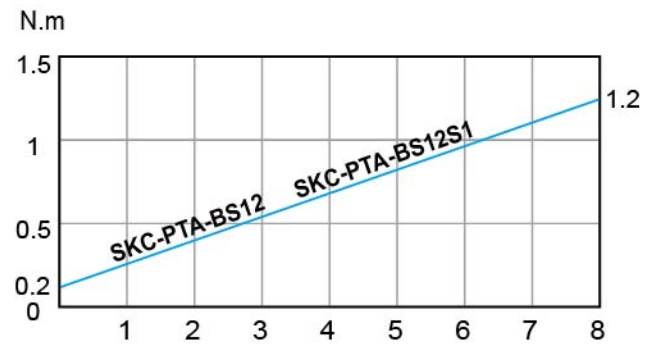


Unit: mm

Specifications

Model		SKC-PTA-BS12	SKC-PTA-BS12S1
Input Voltage		7.2V	
Torque (N.m)	Hard Joint	0.2~1.2	0.2~1.2
	Soft Joint	0.2~0.96	0.2~0.96
Repeatable Torque Accuracy		±3%	
Torque Adjustment		External Stepless	
Free Speed (r.p.m) ±10%	HI	1000	500
	LO	700	350
Weight (kg)		0.53 (Without Battery)	
Size (mm)		225X62 (LXH Without Battery)	
Applicable Battery		SKC-LB0725S	
Applicable Charge Station		SKC-P25W	
Applicable Torque Meter		KTM-15	
Applicable Bit Type		B 9.5 Hex. 6.35mm	

Torque Range Reference Chart

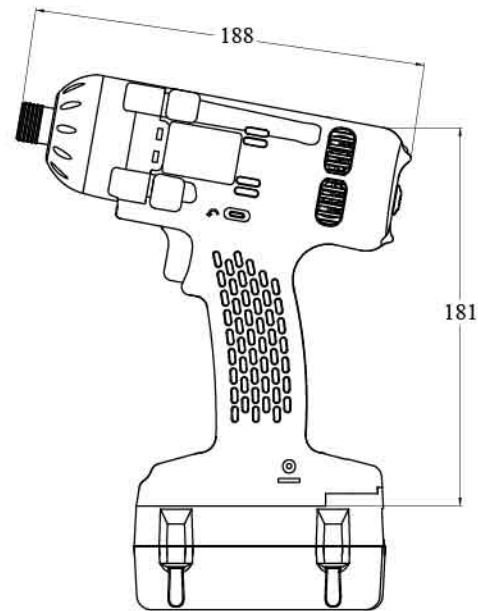




Product Features

- The high power brushless motor was researched, developed, and produced by Kilews, with 1 year warranty.
- The best choice for industrial production and assembly with heavy instant beat, can reach 3100 times per min. Best-suited for fastening the big nut for heavy industrial.
- The maximum torque can reach to 200 N.m and applicable for heavy industry assembling.
- Adopting Japanese high performance Li-ion (Li-Mn) battery which has longest standby time and lifetime.
- The cordless battery screwdriver has beep alarm warning when the battery power capacity is low. The red LED will flicker when 20% left of battery power capacity and light up continuously when 10% left of battery power capacity. User can be reminded to replace the battery by the LED warning light.
- The user can base on the requirement to select HI/MID/LO torque forces via the electrical switch to prevent unnecessary hammer consumption.
- LED illumination, LED will light up while screwdriver is operating to help user to see the fastening object status and to make sure the screws are aimed to exact positions.
- In order to hold the cordless battery screwdriver comfortably, the shape is designed to be 10 degrees elevation and balanced as good ergonomic.
- In order to extend battery operating time, the cordless screwdriver will turn to sleep mode automatically when it idled over 3 seconds. Sleep mode helps to save electricity and extend battery life time.

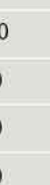
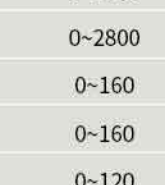
External Dimension



SKC-PTI-160

Unit: mm

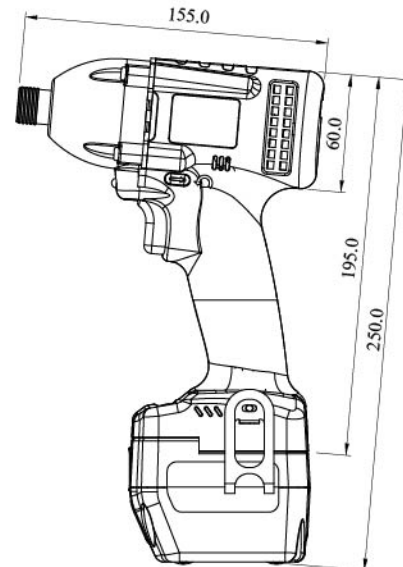
Specifications

Model	SKC-PTI-200	SKC--PTI-160
Input Voltage	18V	18V
Free Speed (r.p.m) ±10%	0~2100	0~2100
B.P.M	0~3100	0~2800
Torque(N.m)	0~200	0~160
Impact modes	HI	0~200
	MID	0~160
	LO	0~120
Weight (kg)	1.1(Without Battery)	
Size (mm)	188x181 (LxH Without Battery)	
Applicable Battery	SKC-LB1840 / SKC-LB1820	
Applicable Charge Station	SKC-P120W / SKC-P80WN / SKC-80WN	
Applicable Bit Type	W	 1/2" sq
	B	 HEX 8.35mm(No.3)

KILEWS® IMPACT INDUSTRIAL CORDLESS
BRUSHLESS MEDIUM TORQUE BATTERY SCREWDRIVERS SERIES
SKC-PTI Series



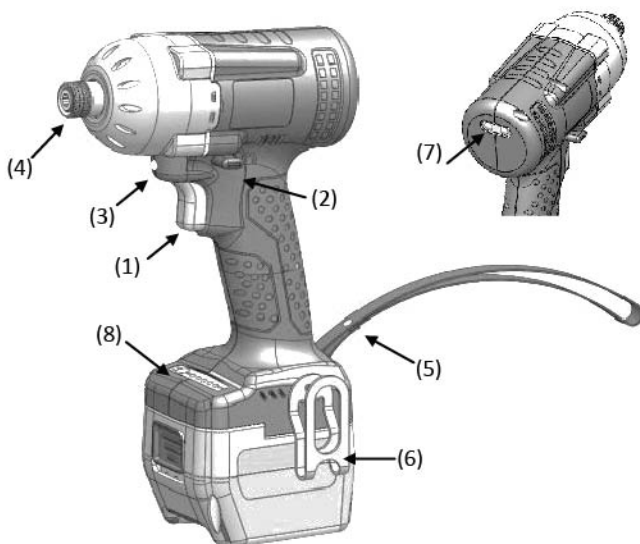
External Dimension



SKC-PTI-100

Unit: mm

Function / Operating Introduction



Function Name Table

No.	Description	No.	Description
(1)	Trigger Switch	(5)	Wrist Strap
(2)	Forward/Reverse Lever	(6)	S Waist Hook
(3)	LED Light	(7)	Indication Light
(4)	Bit Sleeve	(8)	Torque Adjustment Light

Product Features

- 5 steps of torque adjustment with LED indication. User can set torque output according to their requirement to prevent unnecessary hammer consumption. Fastening status will also be shown on LED indication.
- Ergonomic grip design for comfort operation and reduce operator fatigue from long time operation.

Specifications

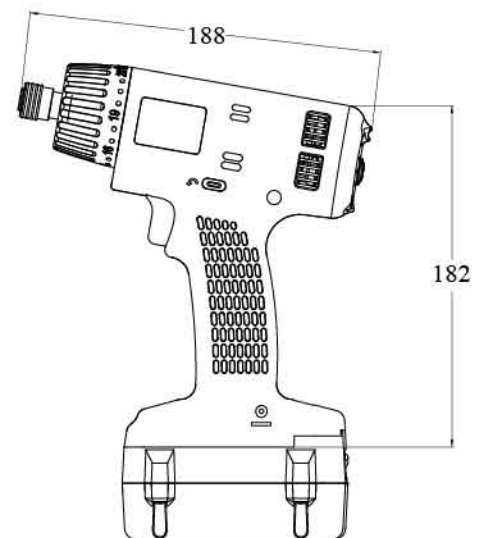
Model	SKC-PTI-100	SKC--PTI-50
Input Voltage	18V	18V
Free Speed (r.p.m) ±10%	0~2300	0~2300
B.P.M	0~3000	0~3000
Torque (N.m)	0~100	0~50
Impact modes	1	0~20
	2	0~40
	3	0~60
	4	0~80
	5	0~100
Weight (kg)	1.0 (Without Battery)	
Size (mm)	155x195 (LxH Without Battery)	
Applicable Battery	SKC-LB1820B	
Applicable Charge Station	SKC-P80WN-D	
Applicable Bit Type		



Product Features

- The high power brushless motor was researched, developed and produced by Kilews, with 1 year warranty.
- The best choice of industrial tool which can set the maximum torque up to 12 N.m, and the repeatable torque accuracy within $\pm 10\%$.
- Adopting Japanese high performance Li-ion (Li-Mn) battery which has longest standby time and lifetime.
- The cordless battery screwdriver has beep alarm warning when the battery power capacity is low. The red LED will flicker when 20% left of battery power capacity and light up continuously when 10% left of battery power capacity. User can be reminded to replace the battery by the LED warning light.
- The cordless battery screwdriver has built-in indicating light to indicate the fasten procedure. The green LED will light up and give a short beep warning for every fastening screw. Conversely, the red LED will light up and give a long beep warning if the screw is fastened incorrectly or NG.
- LED illumination, LED will light up while screwdriver is operating to help user to see the fastening object status and to make sure the screws are aimed to exact positions.
- Users can select HI/LO speed via the electric switch to meet the operation requirement.
- In order to hold the cordless battery screwdriver comfortably, the shape is designed to be 10 degrees elevation and balanced as good ergonomic.
- In order to extend battery operating time, the cordless battery screwdriver will turn to sleep mode automatically when it idled over 3 seconds. Sleep mode helps to save electricity and extend battery life time.

External Dimension



SKC-PTS-120

Unit: mm

Specifications

Model		SKC-PTS-120	SKC-PTS-80	SKC-PTS-50
Input Voltage		18V		
Torque (N.m)	Hard Joint	6~12	4~8	1.5~5
	Soft Joint	6~9.6	4~6.4	1.5~4
Repeatable Torque Accuracy		$\pm 10\%$		
Torque Adjustment		23+MAX Steps		
Free Speed (r.p.m) $\pm 10\%$	HI	700	1200	2200
	MID	500	900	1600
	LO	350	600	1100
Weight (kg)		1.0 (Without Battery)		
Size (mm)		188x182 (LxH Without Battery)		
Applicable Battery		SKC-LB1820 / SKC-LB1840		
Applicable Charge Station		SKC-P120W / SKC-P80WN / SKC-80WN		
Applicable Bit Type		 B HEX 6.35mm(No.3) W 3/8"sq		



SKC-P80WN -D



SKC-P80WN / 80WN



SKC-P50W



SKC-P70W



SKC-P120W



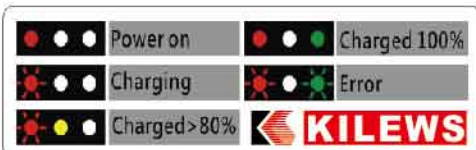
SKC-P50WN -S



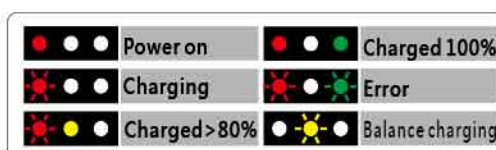
SKC-P25W

Product Features

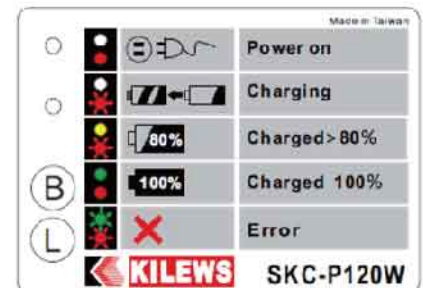
- Built-in LCD display shows recharging status. If the temperature is over the limit when recharging, the charge station will activate the protection function to stop recharging.
- Charge station can identify whether battery is supplied by KILEWS. When other brands of batteries installed on the charge station, it will not start charging process for the safety protection.
- Charge station can detect recharging time and battery capacity automatically. If any unusual situation happens during recharging, it will give an alert beeps and warning light to warn users.
- Auto buzzer reminds when battery is fully recharged.
- Small size, light weight, quick recharge, and wide voltage range 100~240ACV can be applicable worldwide.



SKC-P80W / SKC-80W / SKC-P80W-D / SKC-P50W-S



SKC-P70W / SKC-P50W



SKC-P120W

Specifications

Model	SKC-P120W	SKC-P80WN	SKC-80WN	SKC-P80WN-D	SKC-P70W	SKC-P50WN-S	SKC-P50W	SKC-P25W
Input Voltage	100V~240V	100V~240V	100V~240V	100V~240V	100V~240V	100V~240V	100V~240V	100V~240V
Output Voltage	21V DC	21V DC	21V DC	21V DC	16.8V	12.6V	12.6V	8.4V
Output Current	3.0~4.5A	3.0A	3.0A	3.0A	3.0A	3.0A	3.0A	3.0A
Applicable battery model	SKC-LB1820/1840	SKC-LB1820/1840	SKC-LB1820/1840	SKC-LB1820B/C	SKC-LB1425	SKC-LB1025S	SKC-LB1025M	SKC-LB0725S
Battery Identification	V	V	-	V	V	V	V	V
Buzzer	V	V	-	V	V	V	V	V
Cooling fan	V	-	-	-	-	-	-	-
Dimensions(WXLXH)	160X170X80mm	145X115X80mm	145X115X80mm	145X115X80mm	145X115X75mm	145X115X93mm	145X115X75mm	115X145X101mm
Weight	1068g	530g	530g	530g	460g	470g	460g	430g
LCD Display	V	-	-	-	-	-	-	-
Safety Certification	CE·ETL	CE·ETL	CE·ETL	CE·ETL	CE·ETL	CE·ETL	CE·ETL	CE·ETL

SKC-P120W Will display battery ID, each recharging time, cell temperature, battery voltage, recharge status.

KILEWS® RECHARGEABLE BATTERIES

SKC-LB Series



SKC-LB1820



SKC-LB1840



SKC-LB1025S



SKC-LB0725S

Product Features

- Adopting Japanese high performance Li-ion (Li-Mn) battery.
- Built in protection device to prevent battery overcharge and over discharge.
- The latch design increases intensity and convenience when assembling or dismantling the rechargeable battery from the cordless screwdriver.
- Fully charged voltage: 21V, low-voltage protection: 13.5V, over-temperature protection (discharge): 72°C.
- Battery ID identification design, which only allows original charge station to recharge the battery to secure battery safety and extend battery lifetime.



SKC-LB1820C



SKC-LB1820B



SKC-LB1425



SKC-LB1025M

Battery charging time reference

Battery Model / Capacity	SKC-P120W	SKC-P80W	SKC-80W	SKC-P80W-D	SKC-P70W	SKC-P50W-S	SKC-P50W	SKC-P25W
SKC-LB1820	40 min.	40 min.	40 min.					
SKC-LB1840	60 min.	80 min.	80 min.					
SKC-LB1820B/C				40 min.				
SKC-LB1425					40 min.			
SKC-LB1025S						40 min.		
SKC-LB1025M							40 min.	
SKC-LB0725S								40 min.

Specifications

Battery Model	SKC-LB1820	SKC-LB1840	SKC-LB1820B	SKC-LB1820C	SKC-LB1425	SKC-LB1025S	SKC-LB1025M	SKC-LB0725S
Voltage	18V	18V	18V	18V	14.4V	10.8V	10.8V	7.2V
Capacity	1950mA/hr	3900mA/hr	2000mA/hr	2000mA/hr	2500mA/hr	2500mA/hr	2500mA/hr	2500mA/hr
Rated voltage	18V	18V	18V	18V	14.4V	10.8V	10.8V	7.2V
Power	35Wh	70Wh	36Wh	36Wh	36Wh	27Wh	27Wh	18Wh
Cells Permutation	5 series 1 parallel	5 series 2 parallel	5 series 1 parallel	5 series 1 parallel	4 series 1 parallel	3 series 1 parallel	3 series 1 parallel	2 series 1 parallel
Weight	430g	720g	430g	430g	320g	200g	270g	119g
Dimensions(mm)	119X90X40	119X90X59	92X75X63	92X75X63	107X75X43	51X46X90	99X75X43	51X44X70
Certification	CE·ETL	CE·ETL	CE·ETL	CE·ETL	CE·TUV	CE·TUV	CE·TUV	CE·TUV
UN38.3 Inspection report	YES	YES	YES	YES	YES	YES	YES	YES

TRANSDUCER TYPE IMPACT TORQUE TESTER KTM-IWT50 / KTM-IWT400

Patented design for testing various power type tools, impact wrench, oil pulse tool and manual wrench.

- Can set peak value sampling time (0 - 99 sec.)
- Can set sampling time after peak detected
- Double displays to show peak and real time value
- Auto clear peak value
- Optional torque unit : kgf.cm , N.m, lbf.in



KTM-IWT50



KTM-IWT400

Model No.	Torque Test Range			Applicable Bolt	Bolt Class	Torque Accuracy	Size (mm)	Weight (KG)	Power	Accessory
	Kgf.cm	Lbf.in	N.m							
KTM-IWT50	0 ~ 509	0 ~ 442	0 ~ 50	M6 / M8 / M10	12.9	±10% of reading	200 x 190 x 285	12.6	Input 100 - 240 Vac	M6 & M8 & M10 joint and bolt are included in tester
KTM-IWT400	0 ~ 4079	0 ~ 3540	0 ~ 400	M10 / M12 / M14 / M16	12.9	±10% of reading	295 x 200 x 305	29.7	Input 100 - 240 Vac	M10 & M12 & M14 & M16 joint and bolt are included in tester.

KTM-1000 / 250 / 150 / 15 / 6 / 50S

- LED can identify the test range of torque setting by needed user. If the result is not complying to torque range setting, light will be warned.
- USB connector is only used for data output, it is convenient for user to work with computer.
- Auto-zero can be selected and zero reset becomes unnecessary for user.
- Automatically test values about maximum, minimum and mean.
- ✳KTM-6, KTM-15, KTM-150, KTM-250, KTM-1000 are suitable for shut off type screwdriver only.
- ✳KTM-50S is for semi-shut off type electric screwdriver only.



KTM-1000



KTM-250



KTM-6 / 15 / 150



KTM-50S

Model	KTM-1000	KTM-250	KTM-150	KTM-15	KTM-6	KTM-50S	
Measuring Ranges	(kgf.cm)	50~1000	3.0~250.0	1.5~150.0	0.15~15.0	0.02~8.0	0.5~50.0
	(Lbf.in)	45~885	3.0~217.0	1.5~130.0	0.15~13.0	0.02~7.0	0.5~43.4
	(N.m)	5~100	0.30~25.00	0.15~15.0	0.015~1.500	0.2~80.0 (cN.m)	0.05~4.90
Accuracy	+/- 0.5%(20~100N.m) +/- 1.0%(10~20N.m) +/- 2.0%(5~10N.m)		+/- 0.5%				
Power Supply	3.7V, 4400mAh Lithium Ion		4.8VDC (Ni-MH chargeable battery 1.2VX4 cell 1650mAh)				
Charging Time	8 hours		From empty -3 hours				
Operation Time	8 hours		About 12 hours				
Battery Life	Chargeable for 300 times or more. However, it varies depending on operating conditions.						
Size(mm)	229(W)X102(D)X80(H)	160(W)X210(D)X45(H)	230(W)X125(D)X65(H)			230(W)X123(D)X65(H)	
Weight(kg)	2.7	2.0	1.8		1.8	1.8	
Exclusive Charger	Input : AC100V~240V 50/60Hz Output : DC5V 1.0A Max		Input : AC100V~240V 50/60Hz Output : DC12V 400mA				
Accessory	Torque measuring adaptorX1 SJ-1000	Torque measuring adaptorX1 AJ-250	Torque measuring adaptorX3 AJ-150 / AJ-50 / AJ-15K	Torque measuring adaptorX2 AJ-15 / AJ-3	Torque measuring adaptorX1 AJ-3	Torque measuring adaptorX1 AJ-50S	

Screwdriver Holder

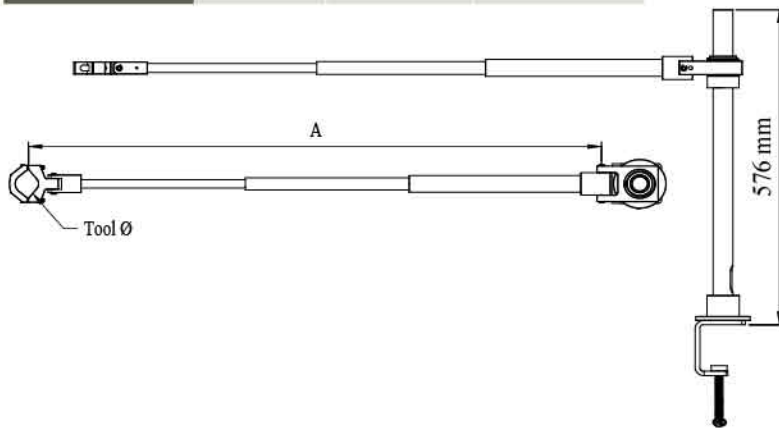
Model	Applicable Models
KH-1	SKC-PTA-BS(&KC)
KH-2	SKC-PTA-BS
KH-5	SKC-PTA-BS12 Series
KH-6	SKC-PTA-BE120/90/50F/60/35F
	SKC-PTA-B120/90/50F/60/35/35F
	SKC-PTA-120/80
KH-1L	SKC-PTA-BS(P) (&KC)
KH-2L	SKC-PTA-BS(P)

● The new screwdriver holder series can be fixed on the table or wall. Position angle of the rack can be adjusted for operator easier to pick up and restore the screwdriver.



Auxiliary Arm

Model No.	Max torque (Nm)	A(mini/maxi) cm	diameter(mm) Tool Ø
KP-AUX-C50-1000	50	43~100	38.5~52
KP-AUX-E50-1000			
KP-AUX-B50-1000			
KP-AUX-D50-1000			
KP-AUX-C50-1200			
KP-AUX-E50-1200	50	50~120	38.5~52
KP-AUX-B50-1200			
KP-AUX-D50-1200			



Torque Locker

Model	Applicable Models
KC-28A	SKC-PTA-BS SKC-PTA-BT Series



 KP-AUX-C50 C-Clamp Type	 KP-AUX-E50 Fixed Type	 KP-AUX-B50 Wall-Mounted Type	 KP-AUX-D50 Hanging Type
 KP-AUX-50 For all kind of screwdriver diameter from 38.5~52mm	 KP-AUX-50-1 For SKC-PTA-120/80	 KP-AUX-50-2 For SKC-PTA-220/150	 KP-AUX-50-3 For SKC-PTA-B120/B90/B50F



INNOVATION FOR SCREWS FASTENING

The official website shall prevail when specifications and designs are subject to change in this content.